

FEATURED ALUM-A-LIFT STAINLESS STEEL WASHDOWN ROLL CLAMPING LIFT

PROJECT 29433

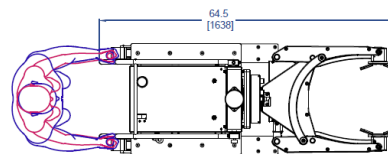
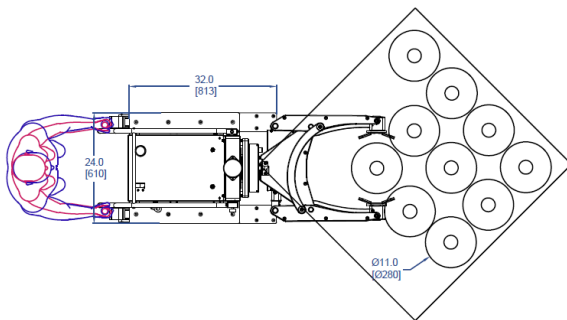
MODEL C800SS-72

FEATURING Stainless Steel Construction, Counterbalance, Powered Clamp with Clamp force Limiting, Manual Wrist, Manual Trunion

HANDLING 220 lb [100 kg] Rolls

DETAILS This lift is used on a food packaging line requiring contact with aggressive/reactive cleaning agents. Upon review with Alum-a-Lift's engineering team, the customer opted for full stainless steel 304 construction of the lifting equipment.

A clamping end-effector with rotation about two axes manipulates rolls to multiple orientations, picking rolls from a vertical position at the pallet and avoiding idler rollers near the process equipment's cantilevered payoff shafts.



STAINLESS STEEL CONSTRUCTION

